

LED LIGHTING

EVCC-PR LED Series - Tank lighting fixtures - Copper-free aluminium

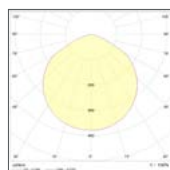


- Tank inspection lighting fixtures are recommended for applications where high luminous performances are required to light extreme dark spaces such as tanks and/or water towers.
- Manufactured in copper-free aluminium and suitable for LED lamp.
- Possibility to apply an OFF-SHORE painting cycle (upon request).

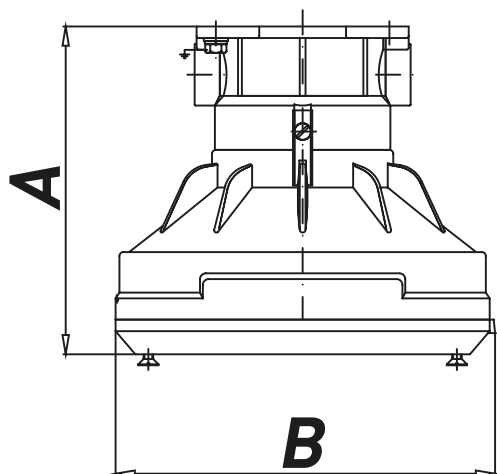
TECHNICAL FEATURES

Material	Copper-free aluminium
IP rating	IP66
Ambient temperature range	-60°C to +60°C
Approvals	ATEX: INERIS 01ATEX0019X - IECEX: INE 15.0031X EAC: RU C-IT.BH02.B.00616/20 - ECAS: 21-04-10282 E21-04-021858
Marking	II 2 G Ex db IIC T3 Gb II 2 D Ex tb IIIC T200°C Db IP66
Gaskets	O-ring made of Nitrile Rubber (NBR)
Surface treatment	Polyurethane painting cycle - Blue RAL5014 (other colour available upon request)
Entries	N° 2 entries M25x1,5 (plugs and cable glands excluded)
Included accessories	AISI304 stainless steel external hardware and screws LED bulb: 1.100 lm
Rated operation voltage (UE)	220-240 V
Frequency	50/60 Hz
Optional accessories	MOUNTING KIT in AISI316L stainless steel: Pole mounting kit, from 1 1/2" up to 2" CABLE GLAND KIT in brass nichel chrome and AISI316L stainless steel: M25 single seal cable gland for unarmoured cable c/w set of sealing rings, gasket, locknut - PNS-2 M25 single seal cable gland for armoured cable c/w set of sealing rings, gasket, locknut - PNA-2 M25 double seal cable gland for armoured cable c/w set of sealing rings, gasket, locknut - PAP-2

Photometric curve



Dimensions LED EVCC



LED EVCC-PR tank inspection lights

TYPE	CODE	LAMP [W]	WEIGHT [Kg]	TEMP. CLASS	DIMENSIONS [mm]	
					A	B
EVCC-PR3/LED 9	A031660710001	9	4.40	T3	170	195